

WARING COMMERCIAL

2 Speed Bar Blenders

BB900G
glass container

BB900P
plastic container

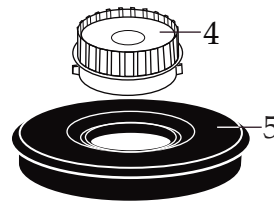
BB900S
stainless steel container

Marked for Deletion

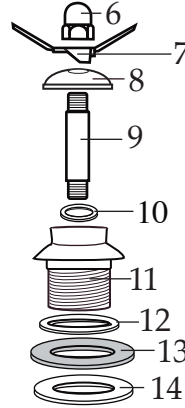
BB900M (on 10/13/2003)
BB900P with Boku nameplate



007314W (after market replacement)
Blending Assembly



500664
2 Piece Lid



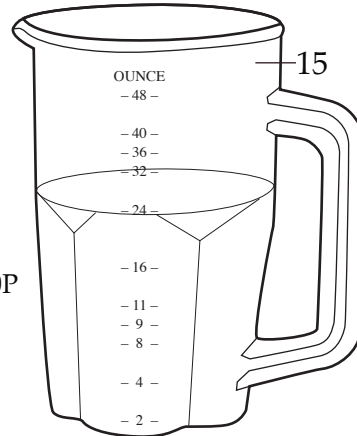
501427
Container with Blending Assembly



004315
2 Piece Lid



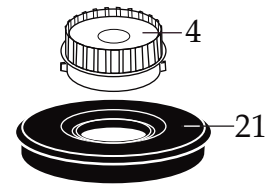
013304
NSF Label
BB900M & BB900P



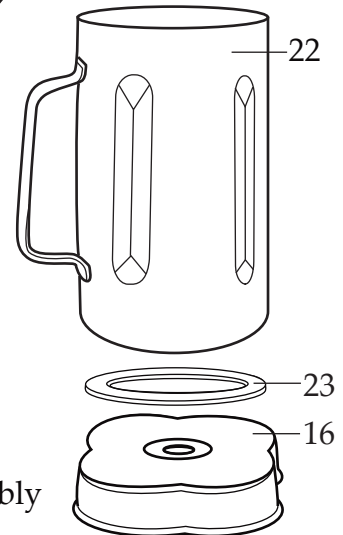
503418
Container with Blending Assembly
(on units after 5/3/2013)

503403
Container with Blending Assembly
(on units after 4/3/2012)

500210
Container with 007314 Blending Assembly



500665
2 Piece Lid
(center lid 011700)



007314W
Blending Assembly

500757
Container with Blending Assembly

500750
Container with Blending Assembly
and Lid



Base Unit Components

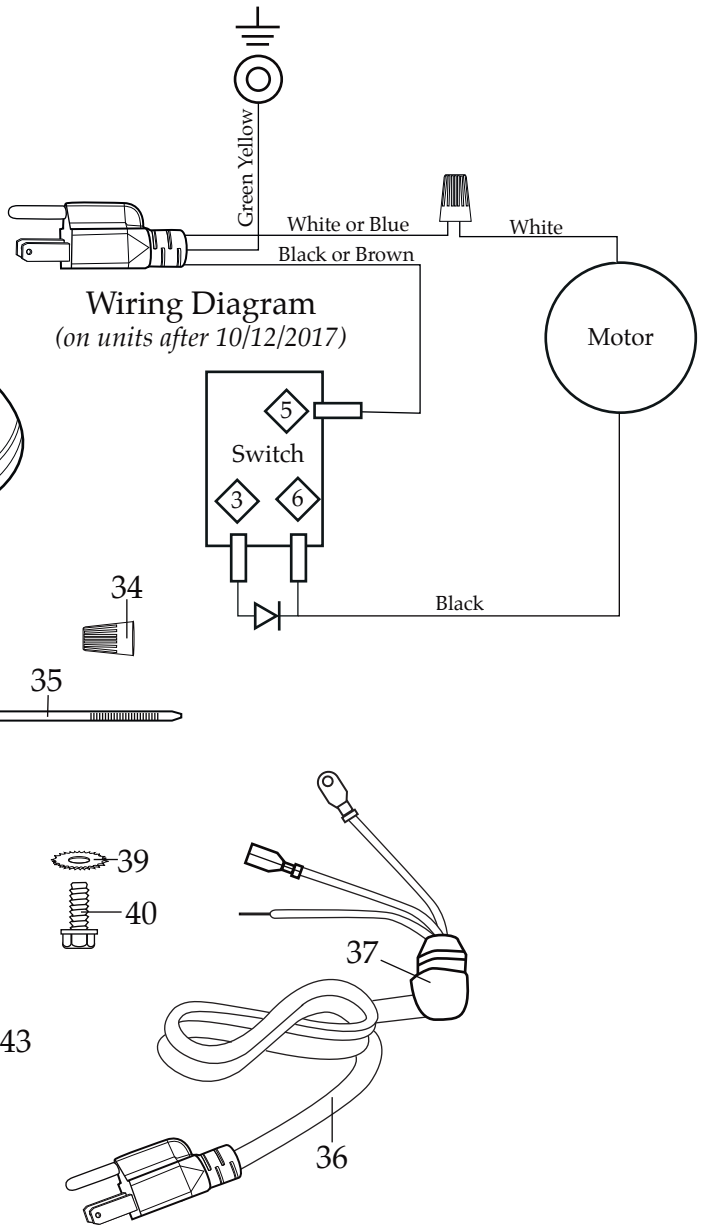
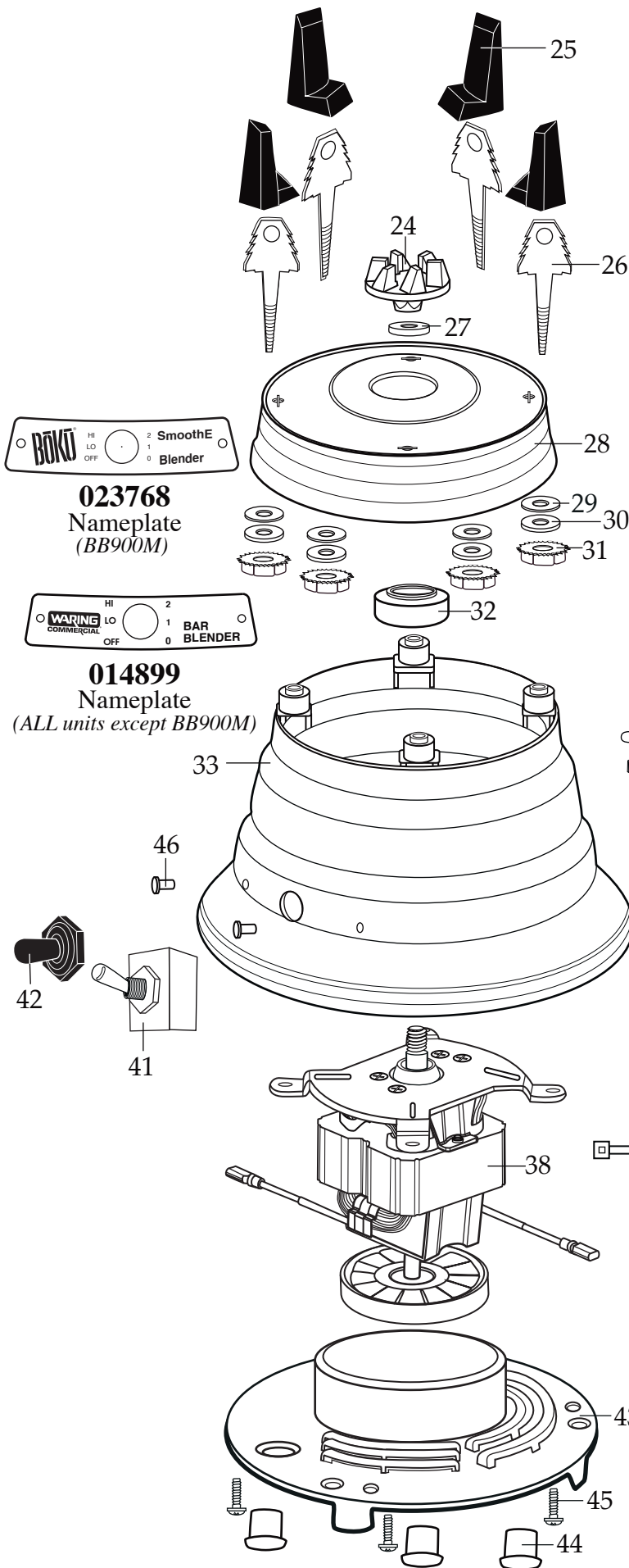
BB900G
glass container

BB900P
plastic container

BB900S
stainless steel container

Marked for Deletion

BB900M (on 10/13/2003)
BB900P with Boku nameplate



Catalog**Model***(units after 3/31/2010)* *(units after 2/1/1999)*

BB900G	WF2111211	51BL20	33BL78
BB900P	WF2111215	51BL21	34BL62
BB900S	WF2111213	51BL20	33BL78
BB900M	<i>Marked for Deletion</i>		39BL55



Illustration#	Part#	Description
1	003146	Center Lid
2	003574-09	Clover Leaf Outer Lid <i>(changed after 3/19/2007)</i>
3	003573	40 oz. Glass Container
4	011700	Center Lid
5	013442	Outer Lid
6	003504	Cap Nut
7	024203	Blade <i>(changed after 2/12/2002)</i>
8	014846	Bearing Cap
9	003601	Shaft
10	002903	Rubber Washer
11	009778	Bearing Holder
12	009724	Nylon Washer
13	003537	Stainless Steel Washer (2 required)
14	003509	Neoprene Washer (2 required)
15	014549-E	48 oz. Eastman Container <i>(changed after 6/23/2011)</i>
16	015055	Container Adapter
17	009780	Hex Nut
18	003526	Phenolic Washer
19	006937	Stainless Steel Washer
20	003138	Coupling
21	013443	Outer Lid
22	012860	32 oz. Stainless Steel Container
23	009762	Gasket
24	014009	Coupling
25	033058-09 003137-09	Jar Pad <i>(on units after 4/3/2012)</i> Use 033058-09S
26	007967	Jar Pad Stud (4 required)
27	035756	Cap Washer <i>(on units after 10/12/2017)</i>
28	017289	Plated Top Cover
29	012752	Seal (4 required)
30	012751	Spacer (4 required)

Catalog

Model

	<i>(units after 3/31/2010)</i>	<i>(units after 2/1/1999)</i>	
BB900G	WF2111211	51BL20	33BL78
BB900P	WF2111215	51BL21	34BL62
BB900S	WF2111213	51BL20	33BL78
BB900M	<i>Marked for Deletion</i>		39BL55



Illustration#	Part#	Description
31	015165	Whizlock Nut (4 required)
32	032645 018594	Housing Seal <i>(on units after 10/12/2017)</i> Housing Seal
33	014790-A-CHM	Bright Chrome Base <i>(changed after 4/3/2012)</i>
34	009051	Wire Nut (1 required <i>on units after 8/5/2004</i>) - (2 required)
35	013731	Cable Tie
36	501162 003565 500830	Cord Set <i>(on units after 6/25/2008)</i> Cord Set <i>(on units after 9/4/2002)</i> Cord Set
37	016041 013680 016041	Strain Relief <i>(on units after 10/12/2017)</i> Strain Relief <i>(on units after 8/4/2008)</i> Strain Relief
38	035309 027255	Chiaphua Motor <i>(on units after 10/12/2017)</i> ECM Motor <i>(changed after 8/5/2004)</i>
39	002943	Ground Washer
40	027278 013659	Ground Screw <i>(on units after 4/3/2012)</i> Ground Screw
41	029355 026800 012698	Switch <i>(on units after 6/30/2009)</i> Use 029355 <i>(changed after 7/29/2003)</i> Switch
42	012703	Switch Seal (boot)
43	028532 503470 027790 503011 502974 026151 502776	Plastic Bottom Plate ONLY <i>(on units after 10/12/2017)</i> Plastic Bottom Plate Assembly with Cord <i>(on units after 10/12/2017)</i> Metal Bottom Plate ONLY <i>(on units after 8/4/2008)</i> Metal Bottom Plate Assembly with Cord Set <i>(on units after 8/4/2008)</i> Plastic Bottom Plate Assembly with Cord Set <i>(on BB900G & P after 8/5/2004)</i> <i>(on BB900S after 4/1/2005)</i> Plastic Bottom Plate ONLY Plastic Bottom Plate Assembly with Cord Set
44	035531 503376 002891 024645	Foot (3 required <i>on units after 10/12/2017</i>) Screw & Foot Assembly (3 required <i>on units after 5/12/2010</i>) Foot (3 required <i>on units after 8/4/2008</i>) Foot (3 required plastic bottom plates)
45	013659 003569 013659	Screw (3 required <i>on units after 10/12/2017</i>) Screw <i>(on units after 8/4/2008 use 503376)</i> Screw (3 required plastic bottom plates)
46	003532	Rivet (2 required)

Catalog

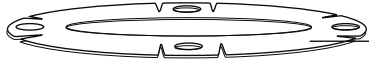
Model

	<i>(units after 3/31/2010)</i>	<i>(units after 2/1/1999)</i>	
BB900G	WF2111211	51BL20	33BL78
BB900P	WF2111215	51BL21	34BL62
BB900S	WF2111213	51BL20	33BL78
BB900M	<i>Marked for Deletion</i>		39BL55

Waring Factory Service Center
314 Ella T. Grasso Ave.
Torrington, CT 06790
Tele. 1-800-269-6640

Fax 860-496-9017
www.waringcommercialproducts.com

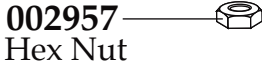
Parts No Longer Used



003563
 Baffle
(on units with ECM motors)



025628
 Brush & Spring
 (2 required)
(on units with ECM motors)



002957
 Hex Nut
(BB900P units before 2/14/2003 & All BB900M)



014553
 Cable Clamp
(BB900P units before 2/14/2003 & All BB900M)



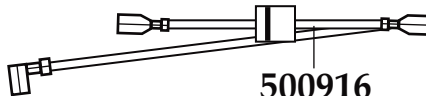
007558
 Screw
(BB900P units before 2/14/2003 & All BB900M)



002962
 Clamp Screw
(BB900G & S units before 2/14/2003)



016410
 Clamp Stain Relief
(BB900G & S units before 2/14/2003)

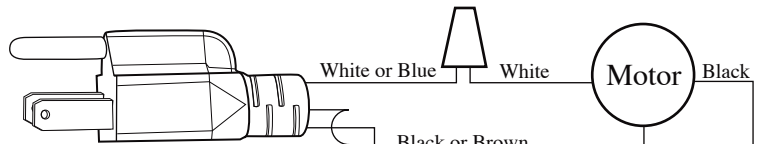


500916
 Lead Assembly with 003262-Diode
(on units before 1/3/2004)

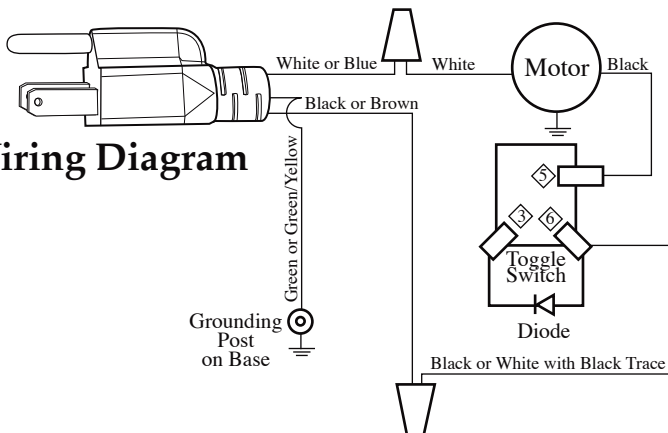
502874
 Lead Assembly with 003262-Diode
(for BB900M and BB900 (on units before 4/1/2005))



016211
 Foot Plug
 (3 required for BB900M & BB900P units before 2/14/2003)



Wiring Diagram
(BB900 units after 8/5/2004)



Wiring Diagram