

WARING COMMERCIAL®

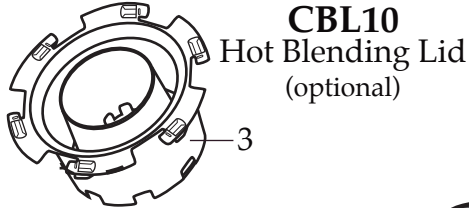
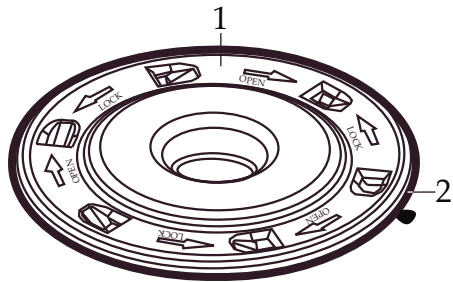
One Gallon Blenders with Timers

CB15T CB15TS

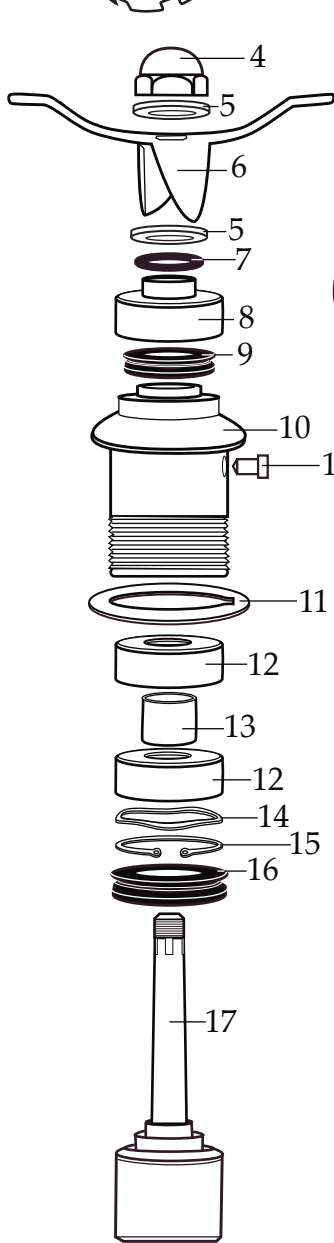
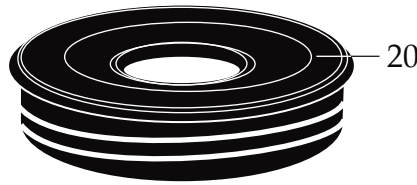
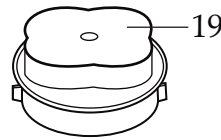
CB15 with Hot Blending Lid

Marked for Deletion

CB15TB (on 9/10/2005)
Base ONLY

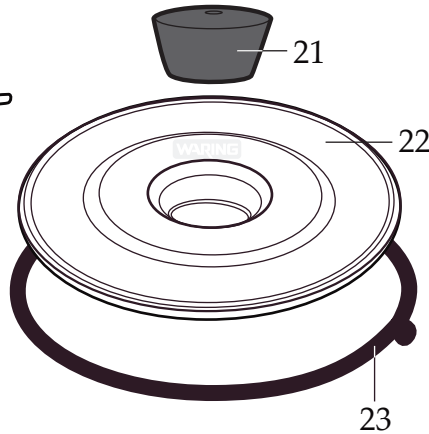


CBL10
Hot Blending Lid
(optional)



502977

(changed after 2/24/2006)
Blending Assembly
(replaces 502493 or 502975)



Parts to old 502493 Blending Assembly

Different from New Assembly
(limited quantities available)

018397 - Washer

018388 - O Ring

023903 - Bearing Cap

Unit Information

15.0 Amps. – 3.75 HP

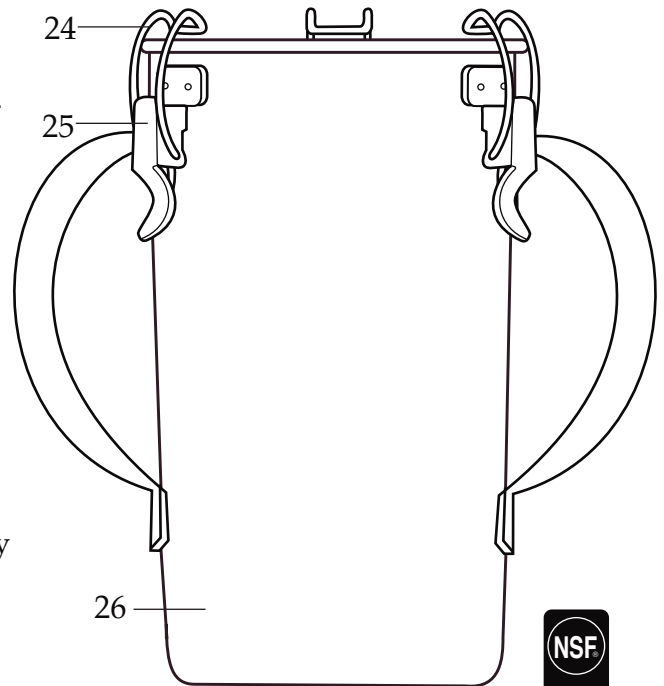
3 Year Limited Motor Warranty

Electronic Membrane Keypad

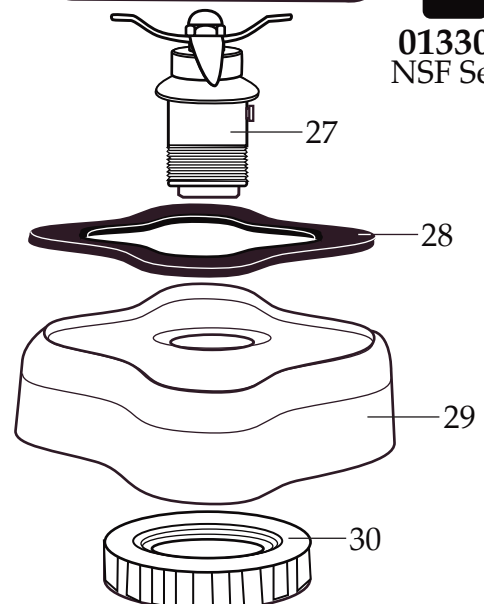
Slow Start™ Blending Mechanism

Timer Adjustable from 10 seconds
to 3 minutes

Operating Cycle is 3 Min. ON
and 1 Min. OFF



013304
NSF Seal



502235 - Container with Blending Assembly
704587 - Container Complete with Lid

WARING COMMERCIAL

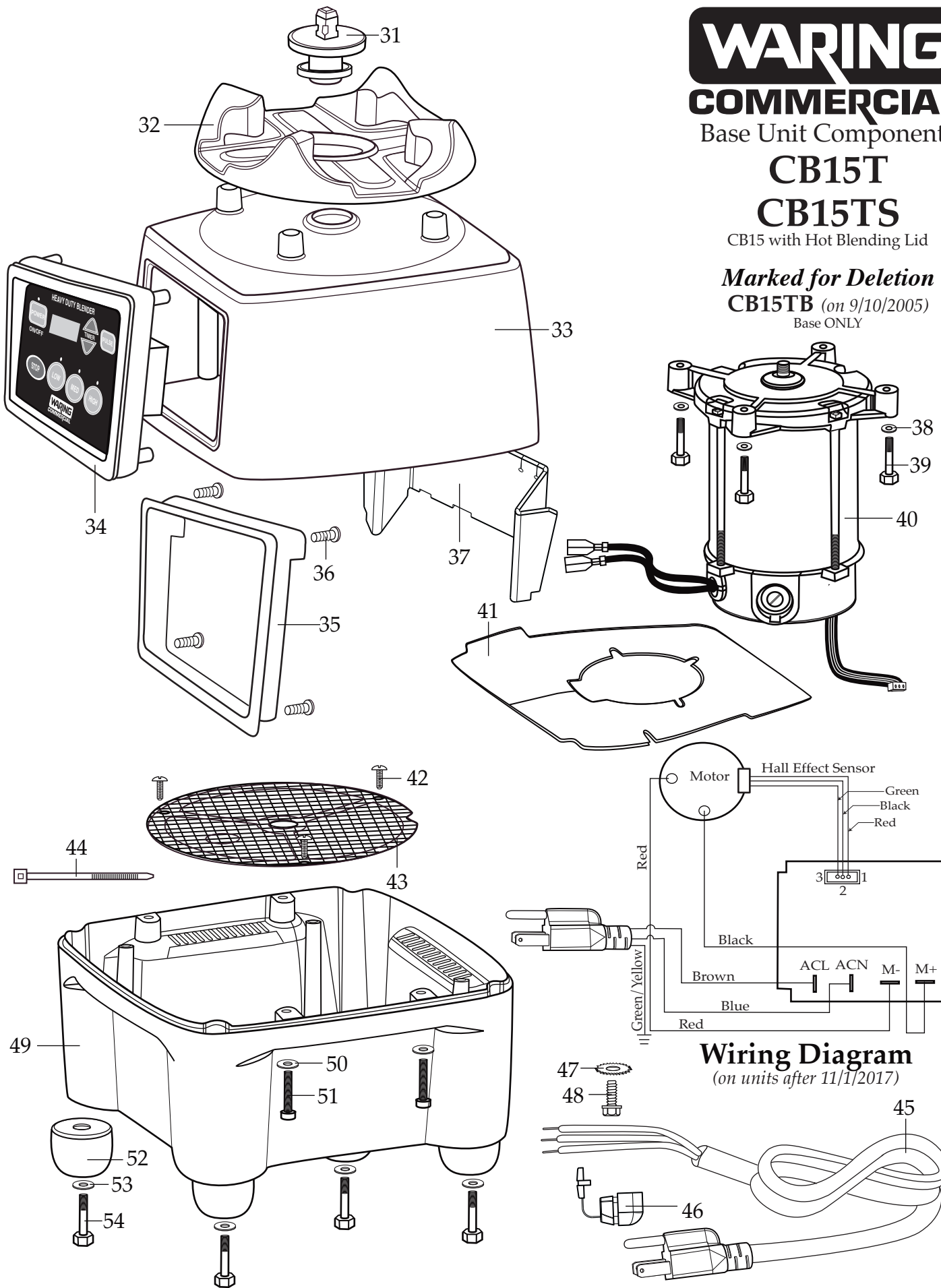
Base Unit Components

CB15T CB15TS

CB15 with Hot Blending Lid

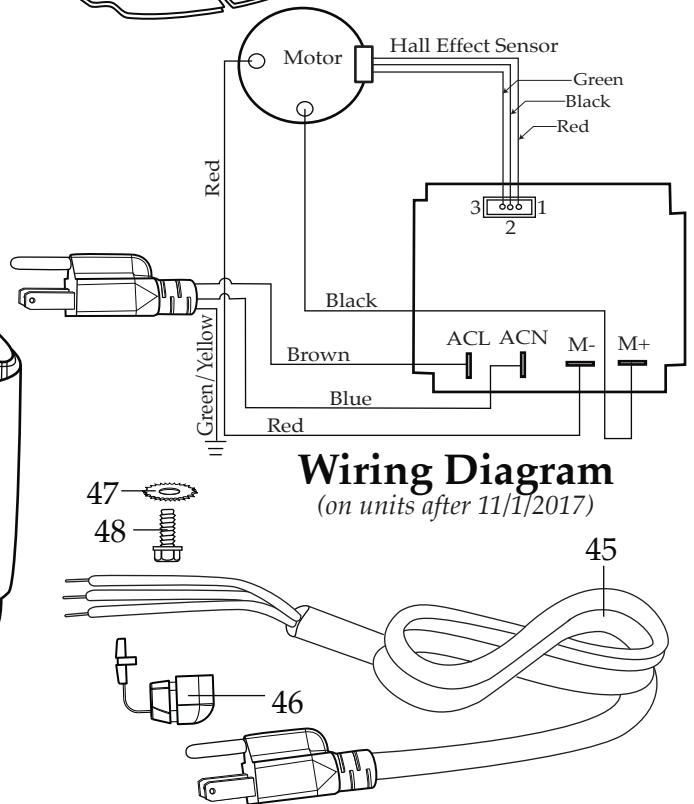
Marked for Deletion

CB15TB (on 9/10/2005)
Base ONLY



Wiring Diagram

(on units after 11/1/2017)



Catalog

Model

CB15T *(after 8/25/2016)* CB15TG CB15T
Convert Back CB15TSG CB15TS
CB15TS to CB15T & CB15TS *(after 3/28/2016)*



CB15TB *(marked for deletion on 9/10/2005)*

Illustration #	Part #	Description
1	024000	Hot Blending Outer Polycarbonate Lid
2	026496	Gasket
3	023998	Hot Blending Lid Baffle Cup
4	002972	Cap Nut
5	027581	Washer
6	027683	Blade
7	018389	"O" Ring
8	027582	Bearing Cap
9	018390	Small "V" Ring
10	023934	Bearing Holder
11	004946	Washer
12	018386	Bearing
13	023926	Spacer
14	023907	Spring Washer
15	023927	Retaining Ring
16	023906	Large "V" Ring
17	023933	Drive Shaft
18	025817	Key <i>(changed after 6/18/2004)</i>
19	028530	Cover Insert <i>(changed after 10/9/2006)</i>
20	028226	Vinyl Outer Lid <i>(changed after 10/9/2006)</i>
21	013470	Stopper <i>(on units before 10/9/2006)</i>
22	013469 023999	Stainless Steel Outer Lid Plastic Outer Lid <i>(obsolete)</i>
23	017442 026496	Stainless Steel Lid Gasket Plastic Lid Gasket <i>(units before 10/9/2006)</i>
24	008791	Latch Wire (3 required)
25	502773	Bracket Assembly <i>(spot welded to container 3 required)</i>
26	023909	Double Handle Container
27	502977	Blending Assembly <i>(complete)</i>
28	004949	Container Base Gasket
29	025571	Container Support <i>(changed after 8/12/2002)</i>
30	012008	Lock Nut
31	503328 502696	Coupling with Magnet Ring <i>(on units after 9/16/2013)</i> Coupling

Catalog

Model

CB15T *(after 8/25/2016)* CB15TG CB15T
Convert Back CB15TSG CB15TS
CB15TS to CB15T & CB15TS *(after 3/28/2016)*

CB15TB *(marked for deletion on 9/10/2005)*



Illustration #	Part #	Description
32	025871	Jar Pad
33	028025	Top Housing <i>(changed after 10/26/2010)</i>
34	030895 028052	Control Panel <i>(on units after 9/16/2013)</i> Control Module Panel
35	029888	Rear Control Panel <i>(on units after 9/16/2013)</i>
36	026497	Screw (4 required)
37	030453	Control Panel Baffle <i>(on units after 9/16/2013)</i>
38	002984 003344 002984	Washer (4 required <i>on units after 8/25/2016</i>) Washer (4 required <i>on units after 3/28/2016</i>) Washer (4 required <i>on units after 3/12/2003</i>) (8 required for use with 015434)
39	016691 019098 016691 015434	Screw (4 required <i>on units after 8/25/2016</i>) Screw (4 required <i>on units after 3/28/2016</i>) Screw (4 required <i>on units after 3/12/2003</i>) Screw (4 required holds mounting plate to motor) (4 required holds motor to top housing)
40	035520 029875 503472 029875 503323 026170 018788	Leili Motor <i>(on units after 11/1/2017)</i> ECM Motor with MTP <i>(on units after 8/25/2016)</i> Groschopp Motor Modified <i>(on units after 3/28/2016 use 036445)</i> ECM Motor with MTP <i>(on units after 9/26/2013)</i> Motor with Sensor <i>(on units after 8/27/2013)</i> ECM Motor <i>(on units after 3/5/2003)</i> Motor (no longer available)
41	026318 035355 026318	Baffle <i>(on units after 8/25/2016)</i> Baffle <i>(on units after 3/28/2016)</i> Baffle
42	026500	Screw (6 required)
43	018791	Screen
44	013731	Cable Tie (1 required <i>on units after 9/16/2013</i>) - (5 required)
45	503329 502855 501956	Cord Set <i>(on units after 9/16/2013)</i> Cord Set <i>(on units after 3/5/2003)</i> Cord Set
46	018811	Strain Relief
47	002943 014798	Ground Washer <i>(on units after 8/18/2009)</i> Washer
48	027278 016317	Ground Screw <i>(on units after 8/18/2009)</i> Screw
49	026317	Bottom Housing
50	002984	Washer (4 required)
51	026412	Screw (4 required)

Catalog

CB15T (after 8/25/2016)
 Convert Back
 CB15TS to CB15T & CB15TS

Model

CB15TG CB15T
 CB15TSG CB15TS
 (after 3/28/2016)

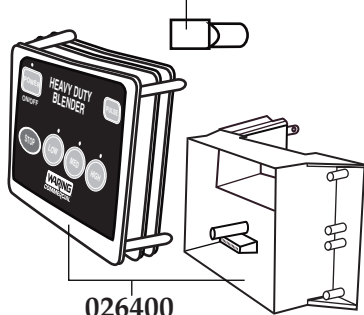
Waring Factory Service Center
 314 Ella T. Grasso Ave.
 Torrington, CT 06790
 Tele. 1-800-269-6640
 Fax 860-496-9017
 www.waringcommercialproducts.com

CB15TB (marked for deletion on 9/10/2005)

Illustration #	Part #	Description
52	026296	Foot (4 required)
53	018314	Washer (4 required)
54	026493	Screw (4 required)

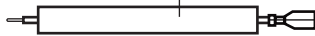
Parts No Longer Used

019123
 Crimp Connector
 (on units between 3/14/2003 thru 8/20/2013)

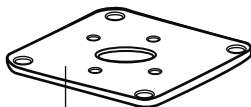


026400
 Control Module Panel
 (on units before 9/3/2013)

502853
 Lead & Fuse Assembly
 (on units between 3/14/2003 thru 8/20/2013)



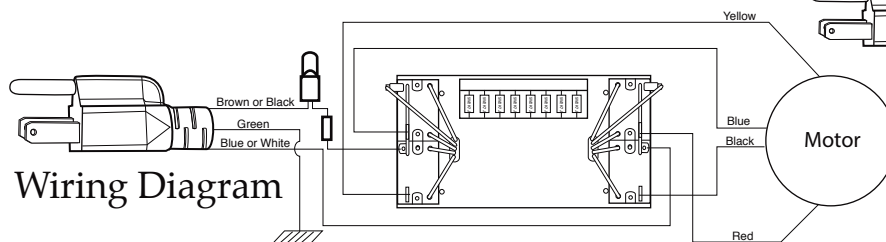
018787
 Motor Plate
 (on units before 3/13/2003)



Used with 029875 Motors

033485
 Brush Cap
 (2 required)

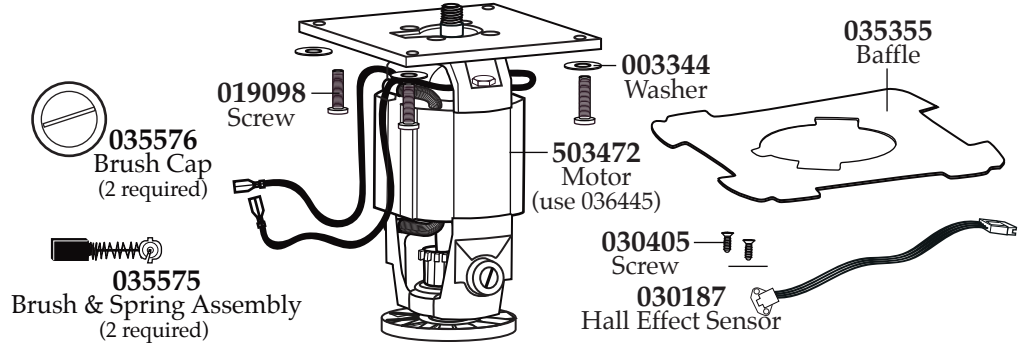
027381
 Brush & Spring Assembly
 (2 required)



Wiring Diagram

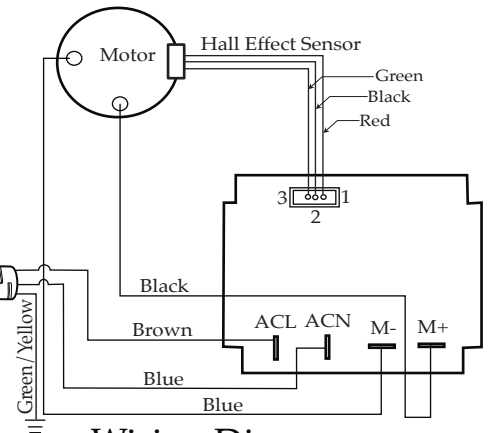
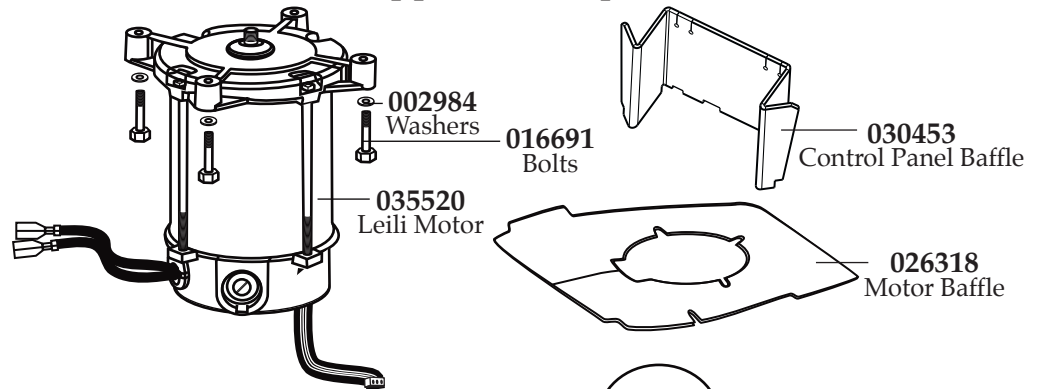
Groschopp Motor Parts No Longer Used

(on units between 4/14/2016 & 9/29/2016)



036445

CB15 Groschopp Motor Replacement Kit



Wiring Diagram

(on units after 8/27/2013)